



TRANSFER HANDLE

There was a time when durability was a primary goal of product design.

Lean on Me

Conestoga wagons, orthopedic shoes & iron skillet. They all worked, more or less, and they all were built to stand the abuse of hard use.

The same was true for the **dual post arm rests** on wheelchairs.

They weren't pretty, were a pain to take on and off and were sometimes lost during a client transfer. Yet, they were strong and many clients used them to assist in moving to standing.

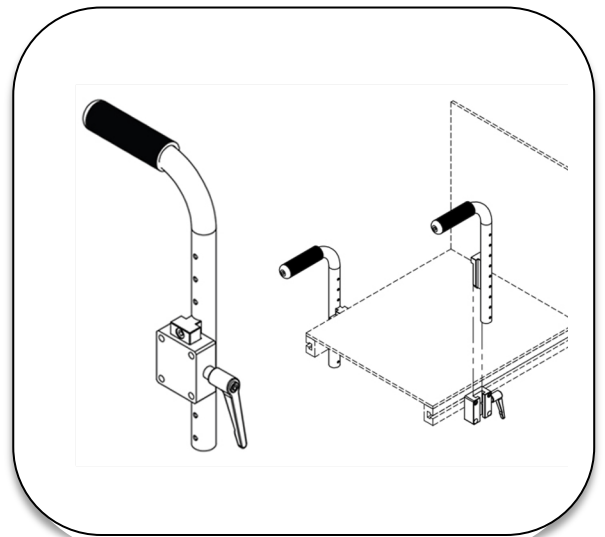
Enter the newer, nicer looking and easier to use cantilevered arms. They provide some capabilities, and yet **STRONG** they are not.

So they break more often as clients use them in ways not intended. Costly and time consuming for the therapist who has to get them replaced.

Enter the not-pretty **Sta-Rite™ Transfer Handle (SRTH)**. Easy to attach to most wheelchairs & adjustable in size to fit virtually any height client. Plus, they don't break during transfer.

You're welcome.

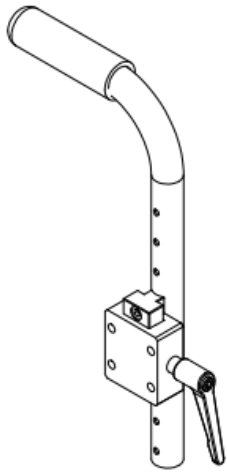
PS: Comes with ALL the screws, T-nuts, & other hardware to fit **power tilts:** Quantum, Quickie, Permobil, Motion Concepts, PaceSaver & Merits, as well as popular **manual tilts:** Iris, Solara, Focus, & Fuze.



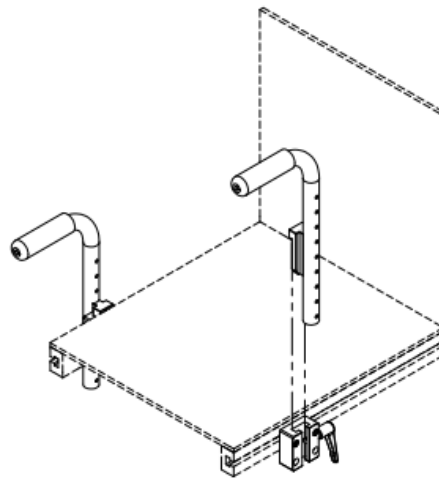
8245 Quebec Street
Commerce City, CO 80022
Fax (888) 368-9598
Tel (303) 914-0141
Tel (888) 435-6828
service@GelOventions.com

Falcon Rehabilitation
VA contract #
36F79718D0323
Expiration 12/31/27

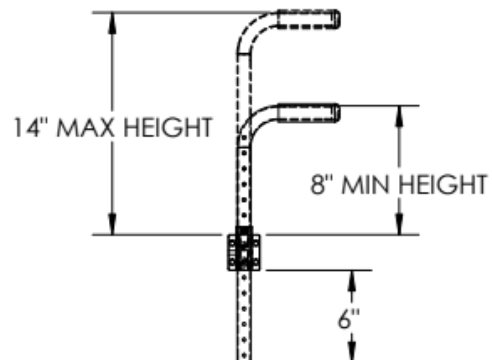
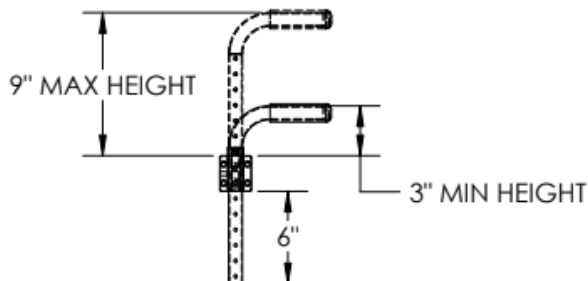
Sta-Rite™ TRANSFER HANDLE



SRTH



Comes with ALL the screws, T-nuts, & other hardware to fit **power tilts:** Quantum, Quickie, Permobil, Motion Concepts, PaceSaver & Merits, as well as popular **manual tilts:** Iris, Solara, Focus, & Fuze.



TRANSFER HANDLE	
CODE	
PAIR	EACH
SRTH	SRTH1

TRANSFER HANDLE - TALL	
CODE	
PAIR	EACH
SRHT	SRHT1